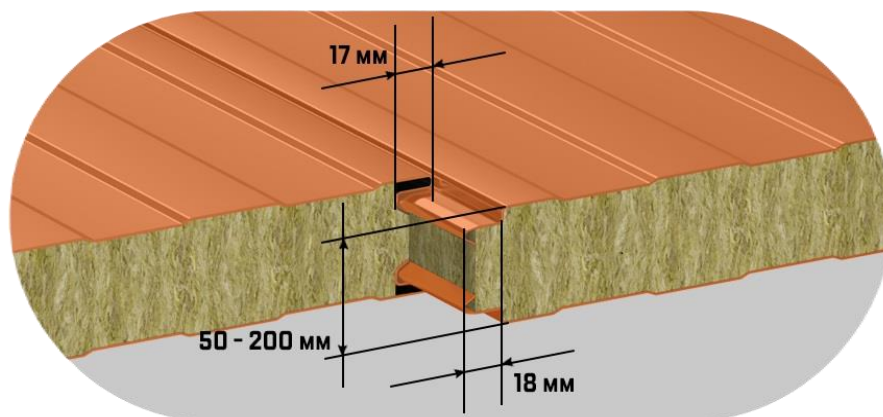


WALL AND ROOF MINERAL WOOL SANDWICH PANELS. CLASS 2 WITH Z-LOCK AND SECRET FIX LOCK

ALL PRICES IN EURO, VAT NOT INCLUDED

09.09.2024

WALL PANELS



WITH Z-LOCK

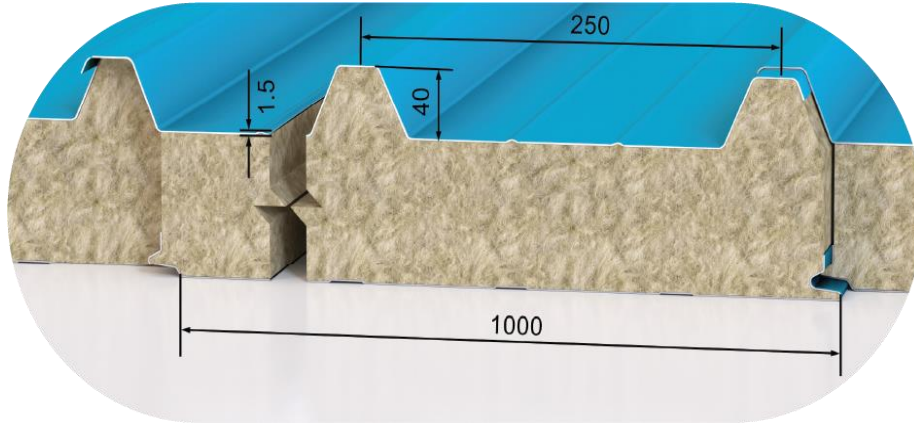
EXTERIOR COATING		PANELS' THICKNESS, MM							
SIDE A	SIDE B	50	60	80	100	120	150	170	200
FIRE RESISTANCE CLASS		EI 30	EI 60	EI 90	EI 150	EI 180			
RAL	RAL	24,87	26,40	29,54	32,49	35,50	40,12	43,04	47,80
	ZN	23,99	25,52	28,67	31,62	34,63	39,25	42,17	46,93
	AISI 304	38,90	40,43	43,57	46,52	49,53	54,15	57,07	61,83
	AISI 430	33,77	35,30	38,44	41,40	44,40	49,02	51,94	56,71
	PVDF	35,10	36,63	39,78	42,73	45,74	50,36	53,28	58,04
	PU	31,49	33,02	36,17	39,12	42,13	46,75	49,67	54,43
	FOOD SAFE	38,13	39,67	42,81	45,76	48,77	53,39	56,31	61,07
ZN	RAL	23,99	25,52	28,67	31,62	34,63	39,25	42,17	46,93
	ZN	23,12	24,65	27,79	30,75	33,75	38,37	41,29	46,06
	AISI 304	38,02	39,56	42,70	45,65	48,66	53,28	56,20	60,96
	AISI 430	32,90	34,43	37,57	40,52	43,53	48,15	51,07	55,83
	PVDF	34,23	35,76	38,90	41,86	44,87	49,48	52,40	57,17
	PU	30,62	32,15	35,29	38,25	41,25	45,87	48,79	53,56
	FOOD SAFE	37,26	38,79	41,94	44,89	47,90	52,52	55,44	60,20
AISI 304	RAL	38,90	40,43	43,57	46,52	49,53	54,15	57,07	61,83
	ZN	38,02	39,56	42,70	45,65	48,66	53,28	56,20	60,96
	AISI 304	52,93	54,46	57,60	60,56	63,56	68,18	71,10	75,87
	AISI 430	47,80	49,33	52,48	55,43	58,44	63,06	65,98	70,74
	PVDF	49,13	50,67	53,81	56,76	59,77	64,39	67,31	72,07
	PU	45,52	47,06	50,20	53,15	56,16	60,78	63,70	68,46
	FOOD SAFE	52,17	53,70	56,84	59,79	62,80	67,42	70,34	75,10
AISI 430	RAL	33,77	35,30	38,44	41,40	44,40	49,02	51,94	56,71
	ZN	32,90	34,43	37,57	40,52	43,53	48,15	51,07	55,83
	AISI 304	47,80	49,33	52,48	55,43	58,44	63,06	65,98	70,74
	AISI 430	42,67	44,21	47,35	50,30	53,31	57,93	60,85	65,61
	PVDF	44,01	45,54	48,68	51,63	54,64	59,26	62,18	66,94
	PU	40,40	41,93	45,07	48,02	51,03	55,65	58,57	63,33
	FOOD SAFE	47,04	48,57	51,71	54,67	57,67	62,29	65,21	69,98

	RAL	35,10	36,63	39,78	42,73	45,74	50,36	53,28	58,04
	ZN	34,23	35,76	38,90	41,86	44,87	49,48	52,40	57,17
	AISI 304	49,13	50,67	53,81	56,76	59,77	64,39	67,31	72,07
PVDF	AISI 430	44,01	45,54	48,68	51,63	54,64	59,26	62,18	66,94
	PVDF	45,34	46,87	50,02	52,97	55,98	60,60	63,52	68,28
	PU	41,73	43,26	46,40	49,36	52,37	56,98	59,90	64,67
	FOOD SAFE	48,37	49,90	53,05	56,00	59,01	63,63	66,55	71,31
	RAL	31,49	33,02	36,17	39,12	42,13	46,75	49,67	54,43
	ZN	30,62	32,15	35,29	38,25	41,25	45,87	48,79	53,56
	AISI 304	45,52	47,06	50,20	53,15	56,16	60,78	63,70	68,46
PU (POLYURETHANE)	AISI 430	40,40	41,93	45,07	48,02	51,03	55,65	58,57	63,33
	PVDF	41,73	43,26	46,40	49,36	52,37	56,98	59,90	64,67
	PU	38,12	39,65	42,79	45,75	48,75	53,37	56,29	61,06
	FOOD SAFE	44,76	46,29	49,44	52,39	55,40	60,02	62,94	67,70
FOOD SAFE	FOOD SAFE	51,40	52,94	56,08	59,03	62,04	66,66	69,58	74,34

WITH SECRET FIX LOCK

EXTERIOR COATING		PANEL'S THICKNESS, MM / SECRET FIX				
SIDE A	SIDE B	60	80	100	120	150
FIRE RESISTANCE CLASS		EI 30	EI 60	EI 90	EI 150	EI 180
	RAL	28,54	31,90	34,89	37,94	42,65
	ZN	27,29	30,66	33,64	36,70	41,40
	AISI 304	48,59	51,95	54,94	57,99	62,70
RAL	AISI 430	41,26	44,63	47,61	50,67	55,37
	PVDF	43,17	46,53	49,52	52,57	57,28
	PU	38,01	41,37	44,36	47,41	52,12
	FOOD SAFE	47,50	50,87	53,85	56,90	61,61
	RAL	27,29	30,66	33,64	36,70	41,40
	ZN	26,05	29,41	32,40	35,45	40,16
	AISI 304	47,34	50,71	53,69	56,75	61,45
ZN	AISI 430	40,02	43,38	46,37	49,42	54,13
	PVDF	41,92	45,29	48,27	51,33	56,03
	PU	36,76	40,13	43,11	46,17	50,87
	FOOD SAFE	46,25	49,62	52,60	55,66	60,37
	RAL	48,59	51,95	54,94	57,99	62,70
	ZN	47,34	50,71	53,69	56,75	61,45
	AISI 304	68,63	72,00	74,98	78,04	82,75
AISI 304	AISI 430	61,31	64,67	67,66	70,71	75,42
	PVDF	63,21	66,58	69,56	72,62	77,33
	PU	58,06	61,42	64,40	67,46	72,17
	FOOD SAFE	67,55	70,91	73,90	76,95	81,66
	RAL	41,26	44,63	47,61	50,67	55,37
	ZN	40,02	43,38	46,37	49,42	54,13
	AISI 304	61,31	64,67	67,66	70,71	75,42
AISI 430	AISI 430	53,98	57,35	60,33	63,39	68,10
	PVDF	55,89	59,25	62,24	65,29	70,00
	PU	50,73	54,10	57,08	60,13	64,84
	FOOD SAFE	60,22	63,59	66,57	69,63	74,33
	RAL	43,17	46,53	49,52	52,57	57,28
	ZN	41,92	45,29	48,27	51,33	56,03
	AISI 304	63,21	66,58	69,56	72,62	77,33
PVDF	AISI 430	55,89	59,25	62,24	65,29	70,00
	PVDF	57,79	61,16	64,14	67,20	71,90
	PU	52,63	56,00	58,98	62,04	66,75
	FOOD SAFE	62,13	65,49	68,48	71,53	76,24
	RAL	38,01	41,37	44,36	47,41	52,12
	ZN	36,76	40,13	43,11	46,17	50,87
	AISI 304	58,06	61,42	64,40	67,46	72,17
PU (POLYURETHANE)	AISI 430	50,73	54,10	57,08	60,13	64,84
	PVDF	52,63	56,00	58,98	62,04	66,75
	PU	47,48	50,84	53,83	56,88	61,59
	FOOD SAFE	56,97	60,33	63,32	66,37	71,08
FOOD SAFE	FOOD SAFE	66,46	69,83	72,81	75,87	80,57

ROOF PANELS



EXTERIOR COATING		PANELS' THICKNESS, MM							
SIDE A	SIDE B	50	60	80	100	120	150	170	200
FIRE RESISTANCE CLASS		RE 15	RE 30	REI 45	REI 45	REI 45	REI 60	REI 60	REI 60
RAL	RAL	29,05	30,51	33,66	36,59	39,52	43,90	47,08	51,47
	ZN	28,02	29,48	32,63	35,56	38,50	42,88	46,06	50,44
	AISI 304	45,44	46,90	50,05	52,98	55,91	60,29	63,47	67,86
	AISI 430	39,45	40,91	44,06	46,99	49,93	54,31	57,48	61,87
	PVDF	41,01	42,47	45,62	48,55	51,48	55,87	59,04	63,43
	PU	36,79	38,25	41,40	44,33	47,26	51,64	54,82	59,21
	FOOD SAFE	44,55	46,01	49,16	52,09	55,02	59,40	62,58	66,97
ZN	RAL	28,02	29,48	32,63	35,56	38,50	42,88	46,06	50,44
	ZN	27,00	28,46	31,61	34,54	37,48	41,86	45,03	49,42
	AISI 304	44,41	45,87	49,02	51,95	54,89	59,27	62,44	66,83
	AISI 430	38,43	39,89	43,04	45,97	48,90	53,29	56,46	60,85
	PVDF	39,98	41,44	44,60	47,52	50,46	54,84	58,02	62,40
	PU	35,76	37,22	40,37	43,30	46,24	50,62	53,79	58,18
	FOOD SAFE	43,52	44,98	48,13	51,06	54,00	58,38	61,56	65,94
AISI 304	RAL	45,44	46,90	50,05	52,98	55,91	60,29	63,47	67,86
	ZN	44,41	45,87	49,02	51,95	54,89	59,27	62,44	66,83
	AISI 304	61,83	63,29	66,44	69,37	72,30	76,68	79,86	84,25
	AISI 430	55,84	57,30	60,45	63,38	66,32	70,70	73,87	78,26
	PVDF	57,40	58,86	62,01	64,94	67,87	72,25	75,43	79,82
	PU	53,17	54,63	57,79	60,71	63,65	68,03	71,21	75,60
	FOOD SAFE	60,94	62,40	65,55	68,48	71,41	75,79	78,97	83,36
AISI 430	RAL	39,45	40,91	44,06	46,99	49,93	54,31	57,48	61,87
	ZN	38,43	39,89	43,04	45,97	48,90	53,29	56,46	60,85
	AISI 304	55,84	57,30	60,45	63,38	66,32	70,70	73,87	78,26
	AISI 430	49,86	51,32	54,47	57,40	60,33	64,71	67,89	72,28
	PVDF	51,41	52,87	56,02	58,95	61,89	66,27	69,44	73,83
	PU	47,19	48,65	51,80	54,73	57,67	62,05	65,22	69,61
	FOOD SAFE	54,95	56,41	59,56	62,49	65,43	69,81	72,98	77,37
PVDF	RAL	41,01	42,47	45,62	48,55	51,48	55,87	59,04	63,43
	ZN	39,98	41,44	44,60	47,52	50,46	54,84	58,02	62,40
	AISI 304	57,40	58,86	62,01	64,94	67,87	72,25	75,43	79,82
	AISI 430	51,41	52,87	56,02	58,95	61,89	66,27	69,44	73,83
	PVDF	52,97	54,43	57,58	60,51	63,44	67,83	71,00	75,39
	PU	48,75	50,21	53,36	56,29	59,22	63,60	66,78	71,17
	FOOD SAFE	56,51	57,97	61,12	64,05	66,98	71,37	74,54	78,93
PU (POLYURETHANE)	RAL	36,79	38,25	41,40	44,33	47,26	51,64	54,82	59,21
	ZN	35,76	37,22	40,37	43,30	46,24	50,62	53,79	58,18
	AISI 304	53,17	54,63	57,79	60,71	63,65	68,03	71,21	75,60
	AISI 430	47,19	48,65	51,80	54,73	57,67	62,05	65,22	69,61
	PVDF	48,75	50,21	53,36	56,29	59,22	63,60	66,78	71,17
	PU	44,52	45,98	49,13	52,06	55,00	59,38	62,56	66,94
	FOOD SAFE	52,29	53,75	56,90	59,83	62,76	67,14	70,32	74,71
FOOD SAFE	FOOD SAFE	60,05	61,51	64,66	67,59	70,52	74,90	78,08	82,47

PH INSULATION MANUFACTURES CLASS 2 SANDWICH PANELS WITH MINERAL WOOL
ON PU.MA CONTINUOUS ITALIAN LINE

- Mineral Wool Density - 95 kg/m³
- You can request sandwich panels with high-quality standard metal of leading Russian and world suppliers Severstal, NLMK, MMK, Arcelor, SSAB, Lampre, etc. with polymer coating.
- Or you can request the special metal according to your requirements:
 - wide range of colors according to RAL chart for polymer coating,
 - various coatings: Polyester, Pural, PVDF, or Food Safe Laminate (a special 110 µm thick coating for food products storage and processing facilities: meat and fish processing plants, dairy farming, etc).
- You can also choose the panels with flat surface or with ribs for elevated sturdiness.
- All PH Insulation panels are delivered wrapped in a surface-protection plastic film for transportation.

